



*www.inscale-scales.co.uk*

# **AE INDUSTRIAL PLATFORMS AND PALLET BEAMS**

**(P.N. 9067, Rev A2, August 2007)**

## INTRODUCTION

Adam Equipment offers a wide range of Industrial Platforms and Pallet Beams. These can be integrated into systems, connected to indicators to suite most applications.

## TECHNICAL SPECIFICATIONS

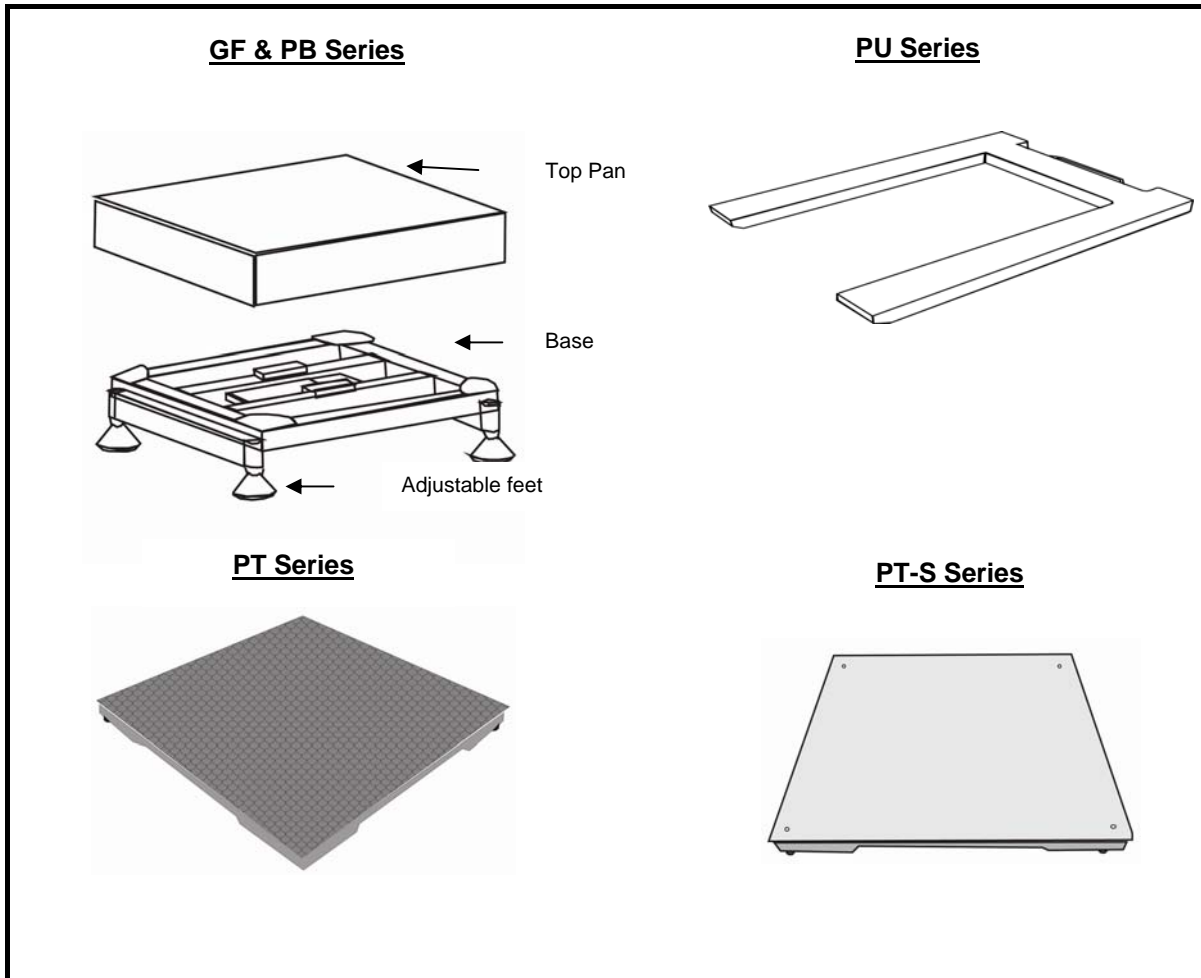
Model	Max Scale Capacity (kg)	Platform Size (mm)	Height (mm)	Net Weight (kg)	Cable	Housing
<b>GF Series</b>						
GF 30	30	350 x 350	130	15	3 m long	Mild Steel construction with Stainless Steel pan
GF 60	60	350 x 450	130	15		
GF 60-45	60	400 x 500	130	18		
GF 150-45	150	400 x 500	130	18		
GF 300	300	600 x 800	165	45		
<b>PB Series</b>						
PB 303	30	300 x 300	130	8	3 m long	Mild Steel construction with Stainless Steel pan
PB 304	30	400 x 400	130	10		
PB 603	60	300 x 300	130	8		
PB 604	60	400 x 400	130	10		
PB 606	60	600 x 600	155	25		
PB 1504	150	400 x 400	130	10		
PB 1506	150	600 x 600	155	25		
PB 3006	300	600 x 600	155	25		
PB 3008	300	800 x 800	165	61		
PB 6008	600	800 x 800	165	61		
PB 303S	30	300 x 300	100	8		All Stainless Steel construction
PB 603S	60	300 x 300	100	8		
PB 604S	60	400 x 400	100	12		
PB 1504S	150	400 x 400	100	12		
PB 1506S	150	600 x 600	155	28		
PB 3006S	300	600 x 600	155	28		
PB 3008S	300	800 x 800	165	61		
PB 6008S	600	800 x 800	165	61		
<b>PT Series</b>						
PT 110	1000	1000 x 1000	100	90	3 m long	Mild Steel construction
PT 210	2000	1000 x 1000	100	90		
PT 310	3000	1000 x 1000	100	90		
PT 112	1000	1200 x 1200	100	120		
PT 212	2000	1200 x 1200	100	120		
PT 312	3000	1200 x 1200	100	120		
PT 115	1000	1500 x 1500	100	170		
PT 215	2000	1500 x 1500	100	170		
PT 315	3000	1500 x 1500	100	170		
PT 310S	3000	1000 x 1000	100	90		
PT 312S	3000	1200 x 1200	100	120		
PT 315S	3000	1500 x 1500	100	170		
<b>PU Series</b>						
PU 1500	1500	1200 x 920	80	65	5 m long	Mild Steel
PU 3000	3000	1200 x 920	80	65		Mild Steel
PU 3000S	3000	1200 x 920	80	65		Stainless Steel

## COMMON SPECIFICATIONS

Load cell IP rating: IP67 for Stainless Steel Platforms and IP65 for Mild Steel Platforms
OIML Approval for Load cell and construction: OIML C3 Approved
Excitation Voltage: 5 – 10 VAC or VDC

## SETTING UP

- Remove the parts from the packing carefully.
- Place the pre-assembled base on a rigid surface.
- Place the Stainless Steel pan on the base if it is not already assembled. Level the base using the four adjustable feet.
- Connect the cable attached to the unit to the connector on the indicator to be used.



**NOTE:** When moving the unit, take care to prevent pulling or bending of the cable and connector, as over a period of time this can weaken the wires and cause malfunction.

**TAKING CARE:** Keep the unit clean. Use a moist cloth to wipe. Avoid direct contact with water. Do not spray or immerse in water. Do not stack material on top when not in use.

**ACCESSORIES:** Optional ramp for easy loading and unloading - used for PT Series.

Model	Description	Construction
PT 10R	100mm wide ramp	Mild Steel
PT 12R	120mm wide ramp	Mild Steel
PT 15R	150mm wide ramp	Mild Steel

Model	Description	Construction
PT 10RS	100mm wide ramp	Stainless Steel
PT 12RS	120mm wide ramp	Stainless Steel
PT 15RS	150mm wide ramp	Stainless Steel

**ADAM EQUIPMENT** is an ISO 9001:2000 certified global company with more than 35 years experience in the production and sale of electronic weighing equipment.

Adam products are predominantly designed for the Laboratory, Educational, Medical, retail and Industrial Segments. The product range can be described as follows:

- Analytical and Precision Balances
- Compact and Portable Balances
- High Capacity Balances
- Moisture analysers / balances
- Mechanical Scales
- Counting Scales
- Digital Weighing/Check-weighing Scales
- High performance Platform Scales
- Crane scales
- Medical Scales
- Retail Scales for Price computing

For a complete listing of all Adam products visit our website at  
[www.adamequipment.com](http://www.adamequipment.com)

© Copyright by Adam Equipment Co. Ltd. All rights reserved. No part of this publication may be reprinted or translated in any form or by any means without the prior permission of Adam Equipment.

Adam Equipment reserves the right to make changes to the technology, features, specifications and design of the equipment without notice.

All information contained within this publication is to the best of our knowledge timely, complete and accurate when issued. However, we are not responsible for misinterpretations which may result from the reading of this material.

The latest version of this publication can be found on our Website.

[www.adamequipment.com](http://www.adamequipment.com)