

# *Inscale Measurement Technology*

[www.inscale-scales.co.uk](http://www.inscale-scales.co.uk)

## **CPW<sub>plus</sub> RANGE OF SCALES**

(P.N. 9009, Rev. 2.1, September 2007)



# CONTENTS

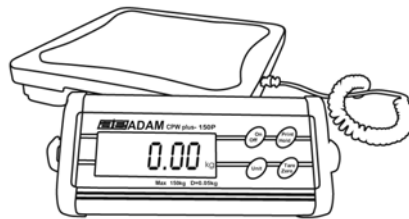
1.0	INTRODUCTION .....	3
2.0	SPECIFICATIONS .....	4
3.0	INSTALLATION .....	5
3.1	UNPACKING .....	5
3.2	LOCATING .....	6
3.3	SETTING UP .....	7
3.3.1	SETTING UP THE STANDARD CPW <sub>plus</sub> SERIES .....	7
3.3.2	SETTING UP THE CPW <sub>plus</sub> M & CPW <sub>plus</sub> L SERIES .....	8
4.0	KEYPAD .....	9
5.0	DISPLAY .....	9
6.0	SYMBOLS AND INDICATORS .....	9
7.0	BATTERY .....	10
8.0	BACKLIGHT .....	10
9.0	AUTO POWER OFF .....	10
10.0	OPERATIONS .....	11
10.1	SWITCHING ON THE SCALE .....	11
10.2	ZEROING .....	11
10.3	TARING .....	12
10.4	SELECTING THE UNIT .....	13
10.5	WEIGHING .....	13
11.0	RS-232 INTERFACE .....	13
12.0	CALIBRATION .....	15
13.0	PARAMETER SETTING .....	16
13.1	USER PARAMETERS .....	16
13.1.1	AUTO POWER OFF .....	17
13.1.2	SETTING OF BACKLIGHT .....	17
13.1.3	ENABLING OF UNITS .....	18
13.1.4	COMMUNICATION ADDRESS .....	18
13.1.5	SELECTION OF BAUD RATE .....	19
13.1.6	SELECTION OF BIT RATE AND PARITY .....	19
13.1.7	SELECTION OF TRANSMISSION MODE .....	20
13.1.8	SELECTION OF HOLD FUNCTION .....	20
13.1.9	SETTING OF HOLD TIME LIMIT .....	21
13.2	TECHNICAL PARAMETERS .....	22
13.2.1	FILTER .....	23
13.2.2	ZERO TRACKING .....	23
13.2.3	STABILIZATION RANGE .....	23
13.2.4	STABILIZATION TRACKING .....	24
13.3	FACTORY PARAMETERS .....	24
14.0	ERROR MESSAGES .....	25
15.0	REPLACEMENT PARTS AND ACCESSORIES .....	25
16.0	SERVICE INFORMATION .....	26
17.0	WARRANTY INFORMATION .....	27
18.0	APPENDIX .....	28



## 1.0 INTRODUCTION

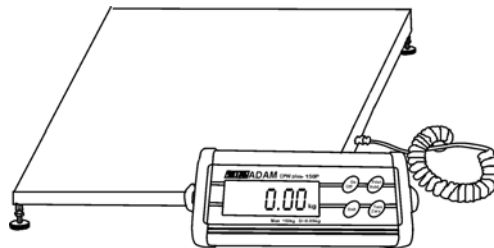
The CPW<sub>plus</sub> range of Platform Scales has a stainless steel top pan on a steel frame and an indicator with a large backlit LCD. The water-resistant keyboard has 4 easy to use function keys: **[On/Off]**, **[Print/Hold]**, **[Unit]**, and **[Tare/Zero]**. All scales are supplied with the Power Supply module.

### CPW<sub>plus</sub>



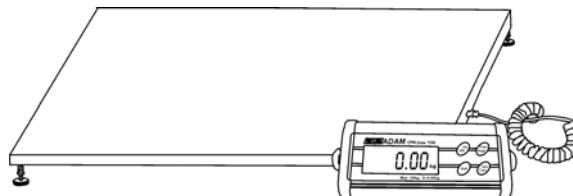
300 x 300mm base  
operates with 6 x AA size batteries

### CPW<sub>plus</sub> M



500 x 500mm base  
with internal rechargeable batteries

### CPW<sub>plus</sub> L



900 x 600mm base  
with internal rechargeable batteries

## 2.0 SPECIFICATIONS

→ Model	CPW <sub>plus</sub> 35 CPW <sub>plus</sub> 35M CPW <sub>plus</sub> 35L	CPW <sub>plus</sub> 75 CPW <sub>plus</sub> 75M CPW <sub>plus</sub> 75L	CPW <sub>plus</sub> 150 CPW <sub>plus</sub> 150M CPW <sub>plus</sub> 150L	CPW <sub>plus</sub> 200 CPW <sub>plus</sub> 200M CPW <sub>plus</sub> 200L
Capacity x Readability d=e=	35 kg x 10 g 75 lb x 0.02 lb 1200 oz x 0.5 oz 74 lb:16 oz x 1 oz	75 kg x 20 g 165 lb x 0.05 lb 2640 oz x 1 oz 164 lb:16 oz x 1 oz	150 kg x 50 g 330 lb x 0.1 lb 5280 oz x 2 oz 329 lb:16 oz x 2 oz	200 kg x 50 g 440 lb x 0.1 lb 7040 oz x 2 oz 439 lb:16 oz x 2 oz
Repeatability	10 g / 0.02 lb	20 g / 0.05 lb	50 g / 0.1 lb	50 g / 0.1 lb
Linearity	20 g / 0.04 lb	40 g / 0.1 lb	100 g / 0.2 lb	100 g / 0.2 lb

→ Series	CPW <sub>plus</sub>	CPW <sub>plus</sub> - M	CPW <sub>plus</sub> - L
Platform size			
300 x 300 mm	✓		
500 x 500 mm		✓	
900 x 600 mm			✓
Power Option			
12 VAC, 150 mA Power supply module supplied	✓	✓	✓
6 x AA size batteries	✓		
Internal rechargeable battery (~ 60 hrs)		✓	✓
Net weight			
4 kg	✓		
8.5 kg		✓	
17 kg			✓
Indicator Dimensions (wxdxh)	270 x 80 x 30 mm		
Stabilization time	2 - 3 seconds		
Tare	Full range tare by subtraction		
Weighing units	kg, lb, oz, lb:oz		
Calibration	Automatic External - user selectable cal weight		
Interface	Bi-directional RS-232		
Operating temperature	0°C to 40°C		
Humidity	Up to 90% RH non-condensing		
Display	25 mm Backlit LCD digits with weight legends for kg, lb, oz, lb:oz and low battery, stable, zero, net weight and Hold symbols		
Keypad	Mechanical switches under overlay		
Scale housing	Indicator: Aluminium Platform: Mild steel base and stainless steel pan		
Applications	Weighing, Dynamic / Animal weighing, Display Hold		

## 3.0 INSTALLATION

### 3.1 UNPACKING

The scales come with-

#### Standard CPW<sub>plus</sub>

- ✓ CPW<sub>plus</sub> Indicator with bracket and 2 screws
- ✓ The Platform
- ✓ Stainless Steel Pan
- ✓ Power supply Module
- ✓ An Instruction manual

#### CPW<sub>plus</sub> M

- ✓ CPW<sub>plus</sub> Indicator with bracket and 2 screws
- ✓ The Platform
- ✓ Stainless Steel Pan
- ✓ Power supply Module
- ✓ An Instruction manual

#### CPW<sub>plus</sub> L

- ✓ CPW<sub>plus</sub> Indicator with bracket and 2 screws
- ✓ The Platform
- ✓ Stainless Steel Pan
- ✓ Power supply Module
- ✓ An Instruction manual
- ✓ Anti-slip rubber mat for animal weighing

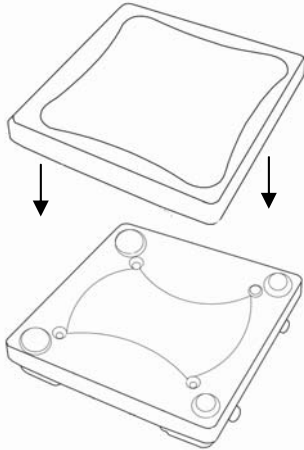
## 3.2 LOCATING

- The scales should not be placed in a location that will reduce the accuracy.
- Avoid extremes of temperature. Do not place the scale in direct sunlight or near air conditioning vents.
- Avoid unsuitable surfaces. The table or floor should be rigid and free from vibration.
- Avoid unstable power sources. Do not use the scale near large users of electricity such as welding equipment or large motors.
- Do not place the scale near vibrating machinery.
- Avoid high humidity that might cause condensation. Avoid direct contact with water. Do not spray or immerse the scales in water.
- Avoid air movement such as from fans or opening doors. Do not place the scale near open windows or air-conditioning vents.
- Keep the scales clean. Do not stack material on the scales when they are not in use.

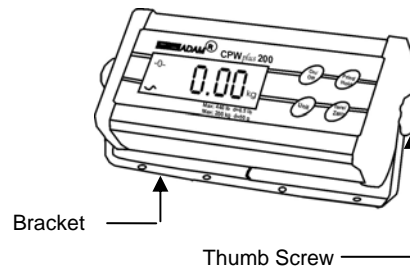
## 3.3 SETTING UP

### 3.3.1 SETTING UP THE STANDARD CPW<sub>plus</sub> SERIES

- ① Remove the parts from the packing carefully. Place the base on a rigid surface. Place the Stainless Steel pan on the base, if it not already assembled.

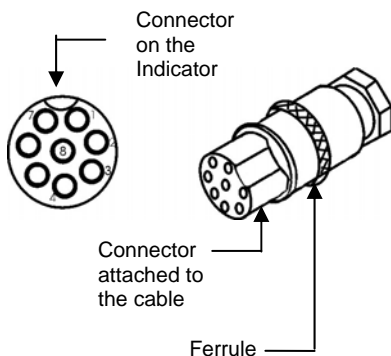


- ② The indicator is separately packed and comes attached to a bracket with the help of two thumb screws.



To adjust the angle of the indicator, use the two thumb screws on the side of the bracket that connects the indicator.

- ③ Connect the cable attached to the base to the connector at the rear of the indicator. Tighten the ferrule to secure the cable.



**NOTE:** When moving the scale, take care to prevent bending of the cable and connector too much as over a period of time this can weaken the wires in the connector and cause malfunction.

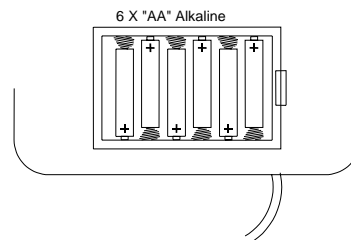
**MOUNTING THE INDICATOR-** The indicator attached to the bracket can be mounted in the following 3 ways. To adjust the angle of the indicator, use the two thumb screws on the side of the bracket that connects the indicator.

1. **Place it on the work bench-** Simply place the indicator attached to the bracket on the work bench at an angle.
2. **Attach it to the base of the scale-** There are two thumb screws on the base (opposite to the Power input and RS-232 ports). Remove them from the base and use them to attach the bracket to the base.
3. **Mount it on the wall-** Use two suitable screws (not supplied) to fix the bracket to the wall.

- ④ Power can be supplied using the adapter delivering 12 VAC 150 mA minimum or using batteries inside the scale unit (6 x AA size).

Remove the cover from the battery compartment under the scale. Install six AA size batteries as shown below.

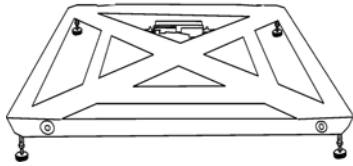
The alkaline batteries are suggested for use for best life.



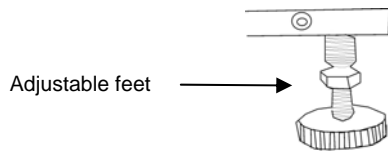
### 3.3.2 SETTING UP THE CPW<sub>plus</sub> M & CPW<sub>plus</sub> L SERIES

①

Remove the parts from the packing carefully. Place the base on a rigid floor.

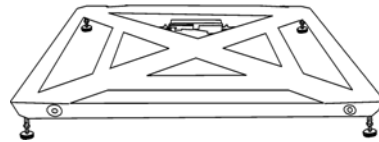
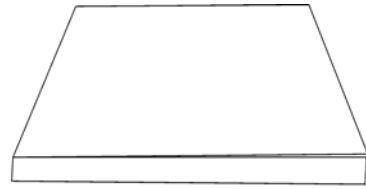


Level the base using the four adjustable feet.



②

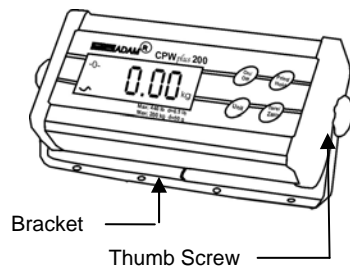
Place the Stainless Steel pan on the base, if not already assembled.



For CPWplus L, place the rubber mat on the pan for animal weighing.

③

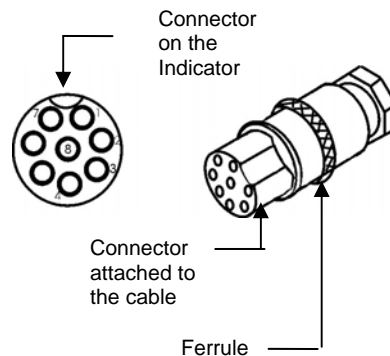
The indicator is separately packed and comes attached to a bracket with the help of two thumb screws.



To adjust the angle of the indicator, use the two thumb screws on the side of the bracket that connects the indicator. The Indicator can be placed on any flat surface or mounted on the wall.

④

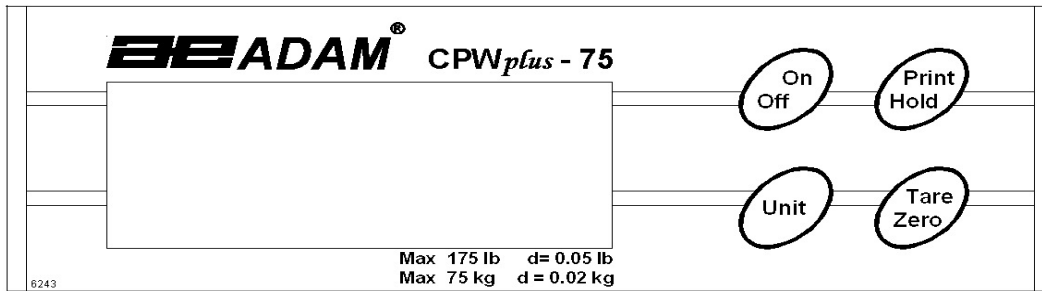
Connect the cable attached to the base to the connector at the rear of the indicator. Tighten the ferrule to secure the cable.



**NOTE:** When moving the scale, take care to prevent bending of the cable and connector too much as over a period of time this can weaken the wires in the connector and cause malfunction.

**NOTE:** To re-charge the internal battery, connect the power supply module to the rear of the indicator and apply power.

## 4.0 KEYPAD



<b>[On / Off]</b>	Turns the scale on or off only
<b>[Print/Hold]</b>	Sends data via RS-232 and combines with Hold functions, if enabled
<b>[Unit]</b>	Selects kilograms, pounds, ounces or pounds-ounces
<b>[Tare/Zero]</b>	Sets the display to true zero or net zero by storing the current weight in the tare memory

## 5.0 DISPLAY



## 6.0 SYMBOLS AND INDICATORS

Symbol	Description
→0←	Scale is in the zero position
S	Weighing result is stable
kg , lb, oz or lb-oz	Active weighing unit
Battery icon	Battery is weak
:	When weighing in pounds:ounces
Net	Net weight is being displayed
Hold	Display is held as per the Hold parameter setting (See section 9.8 & 9.9)

## **7.0 BATTERY**

- CPW<sub>plus</sub> standard can be operated from 6x AA batteries, if desired.
- CPW<sub>plus</sub>-M and CPW<sub>plus</sub>-L scales have an internal rechargeable battery. When the battery needs charging a symbol on the display will turn on. The battery should be charged when the symbol is on.
- To charge the battery, connect the power supply module to the rear of the indicator and apply power. The scale need not be turned on.
- The battery should be charged for 12 hours for full capacity. The battery life is approximately 60 hours.

## **8.0 BACKLIGHT**

The backlight for the LCD can be set by the user to always off, always on or automatic (on only when the scale is in use or a key is pressed). See setting of the parameter in section 13.1.2.

## **9.0 AUTO POWER OFF**

The auto power off can be set by the user to disable the feature or to a pre-set time interval. See setting of the parameter in section 13.1.1.

## 10.0 OPERATIONS

### 10.1 SWITCHING ON THE SCALE

- To switch on the scale, press the **[On/Off]** key.
- The display will show the software revision number and then flash all the digits and symbols before counting down to zero. This ensures all LCD segments are working. The last active weighing unit will be displayed.



- The scale will turn off automatically to conserve battery life if the automatic turn off parameter is set (see section 13.1.1). To turn off the scale press the **[On/Off]** key.
- A battery symbol will be on when the internal battery needs to be re-charged. Connect the power supply module to the rear of the indicator and switch on the mains.

### 10.2 ZEROING

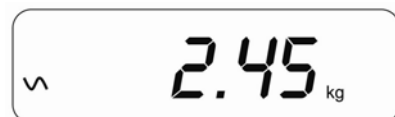
- The ZERO and TARE function is combined into one key **[Tare/Zero]**.
- You can press the **[Tare/Zero]** key at any time to set a new zero point. Re-zeroing the scale may be necessary if a small amount of weight is still shown when the platform is empty.
- If the scale is less than 2% of the maximum capacity, pressing **[Tare/Zero]** will zero the scale. However, if the weight on the scale is more than 2%, pressing **[Tare/Zero]** will tare the scale. See the next section on taring the scale.
- The scale has an automatic zero tracking function to account for shifting of the zero point due to the environment change or accumulation of dust on the platform.

## 10.3 TARING

- Zero the scale by pressing the [**Tare/ Zero**] key if necessary. The zero indicator will be on.



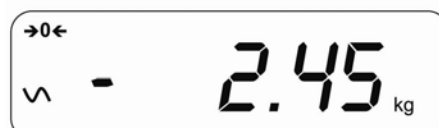
- Place a container on the platform, a value for its weight will be displayed.



- Press the [**Tare/Zero**] key to tare the scale. The weight that was displayed is stored as the tare value. This value is subtracted from the display, leaving zero on the display. The indicator "**Net**" will be on.



- As a product is added to the container, only the weight of the product will be shown. The scale could be tared a second time if another type of product was to be added to the first one. Again only the weight of the product that is added after taring will be displayed.
- When the container is removed a negative value will be shown. If the scale was tared just before removing the container, this value is the gross weight of the container plus all products. The zero indicator will also be on because the platform is back to the same condition as it was when the [**Tare/Zero**] key was pressed last.



**Note:** If the capacity of the scale is 6000g and a container weighing 2450g is used and tared, the scale can then be used to weigh the material of up to 3550g.

## 10.4 SELECTING THE UNIT

To select the weighing unit press the **[Unit]** key to move from one unit to another. The weighing unit must be enabled by the users beforehand (see section 13.1.3). If a unit is disabled it cannot be selected by using the **[Unit]** key.

## 10.5 WEIGHING

- When the scale is at zero, place an item to be weighed on the platform. The display will show the weight in the unit selected previously. The weighing result can be viewed in other enabled units using the **[Unit]** key.
- If a container is used, this can be tared as described in 10.3. The scale then shows the net weight of the material added.

## 11.0 RS-232 INTERFACE

The CPW<sub>plus</sub> scales come with a bi-directional RS-232 interface.

### Interface parameters are:

RS-232 output of weighing data  
ASCII code  
Selectable Baud  
Selectable data bits  
Selectable Parity

### Connection details are:

Connector: 9 pin D-subminiature socket  
Pin 3 Output  
Pin 2 Input  
Pin 5 Signal Ground

### Normal Output: (See section 13.1.7)

```
add: A
G/W: + 2.00 kg      G/W is Gross Weight
<cr><lf>
<cr><lf>
<cr><lf>
add: A
N/W: + 1.00 kg      N/W is Net weight
<cr><lf>
<cr><lf>
<cr><lf>
```

### Continuous Output: (See section 13.1.7)

```
ASNG/W + 0.00 xx    A is communication address set by the user,
ASNG/W + 0.51 xx    S stands for stable, N for no error G/W for
ASNG/W + 2.99 xx    gross weight, xx for the chosen unit
<cr><lf>
```

The scale can be controlled by a computer using the following commands. The commands must be sent in upper case letters, i.e. "T" and not "t". The input and output formats are as given below.

**Input commands format:**

<b>Z &lt;cr&gt; &lt;lf&gt;</b>	Tares the scale to display the net weight- same as pressing <b>[Tare/Zero]</b>
<b>H &lt;cr&gt; &lt;lf&gt;</b>	Sets the scale to hold if the hold function is enabled. Same as pressing the <b>[Hold]</b> key
<b>N &lt;cr&gt; &lt;lf&gt;</b>	Sends the net weight to the RS-232 interface.
<b>G &lt;cr&gt; &lt;lf&gt;</b>	Sends the gross weight to the RS-232 interface.
<b>T &lt;cr&gt; &lt;lf&gt;</b>	Sends the tare weight to the RS-232 interface.

**Output format:**

<b>G</b> <b>+ 2.00 kg</b> <cr><lf> <b>N</b> <b>+ 1.00 kg</b> <cr><lf>
--

## 12.0 CALIBRATION

- Occasionally the scale should be verified whether it is weighing correctly by measuring to a known mass.
- Zero the scale. Place the mass on the centre of the platform and note the reading. Calibrate the scale, if necessary.

### PROCEDURE

- While in the normal weighing mode, press and hold the **[Tare/Zero]** key for 4 seconds.
- The display will show “**CAL**” along with the last selected unit. The unit can be changed by using the **[Unit]** key to calibrate in kg or lb.

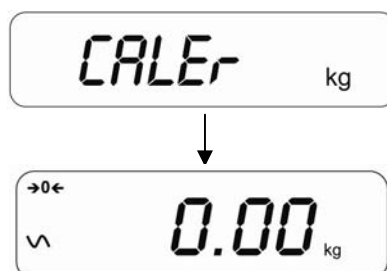


- Press the **[Print/Hold]** key. The display will show “**L xx**” where **xx** is the Calibration weight which is user-selectable.



- Use the **[Tare/Zero]** key to change the flashing digit and the **[Print/Hold]** key to move to the next digit.
- Press the **[Unit]** key to confirm the calibration weight. The digit stops flashing.

**Note:** If the selected mass is less than 10% of the capacity of the scale, an error message “**CALEr**” will be displayed and the scale will return to zero. Repeat the process correctly.



- Place the correct calibration mass as selected by the user at the centre of the pan.
- Press the **[Unit]**. The display will return to weighing mode.

**Note:** If the mass loaded is more than  $\pm 20\%$  of the factory calibration reference then an error message “**CALEr**” will be displayed and the scale will return to weighing without calibration being saved. Repeat the process correctly.

- Remove the weight.
- Verify the scale is calibrated correctly. Repeat the process, if necessary.

## 13.0 PARAMETER SETTING

### 13.1 USER PARAMETERS

The scale can be set as desired by the user to control the weighing operation. See section 18.0 for the complete list of parameters.

- Switch off the scale.
- Hold the **[Tare/Zero]** key and then press the **[On/Off]** key momentarily. Release the **[Tare/Zero]** key. The display shows the first parameter - auto power off.
- To exit the parameter setting at any time, press the **[Print/Hold]** key.
- To scroll through the user parameters, press the **[Unit]** key (which will advance to the next parameter).
- To return to normal weighing, turn the scale off and back to on again or press the **[Print/Hold]** key.

### 13.1.1 AUTO POWER OFF

- The first parameter is to set the auto power off function. The display will show “Pr oFF” (DEFAULT SET).
- Press [**Tare/Zero**] to toggle between “Pr on” and “Pr oFF”.

Pr on

Enables the Auto Power Off function. The power will be turned off after 2 minutes if a key has not been pressed for 2 minutes and the scale is at zero. If there is any weight on the scale or a key is pressed, the scale will continue to work.

Pr oFF

Disables the Auto Power Off function. The scale will not automatically turn off.

- Press the [**Unit**] key to confirm the selection and move to the next parameter.

### 13.1.2 SETTING OF BACKLIGHT

- The second parameter to set the backlight function. Display will show “bL 3” (DEFAULT SET).
- Press the [**Tare/Zero**] key to change the settings

bL 1

Off- backlight is switched off always

bL 2

On- backlight is set to on always

bL 3

Automatic- backlight will be off unless a weight is placed on the pan. When the weight is removed it will stay on for 10 seconds after the scale returns to zero.

- Press the [**Unit**] key to confirm the selection and move to the next parameter.

### 13.1.3 ENABLING OF UNITS

- The third parameter is to enable or disable the weighing units so that the user can select the enabled units during the weighing operation. Display will show “**on kg**” (DEFAULT SET)
- Use [**Tare/Zero**] to toggle between “**on**” and “**oFF**”.



Enables the unit



Disables the unit

- Press the [**Unit**] key to confirm the selection and move to the next unit which is “lb”.
- After all units are set, press the [**Unit**] key to move to the next parameter.

### 13.1.4 COMMUNICATION ADDRESS

- The fourth parameter is for setting the ID for the RS-232 results output. Display will show “**Add 0**” (DEFAULT SET)



- This parameter sets the communication address which is sent via RS-232 as an ID code. There are 26 options to select from “**Add 0**” to “**Add 25**”. Set “**Add 0**” for no address. The numbers relate to alphabets for example 1=A, 2=B to 25=Y
- Use the [**Tare/Zero**] key to scroll through the options.
- Press the [**Unit**] key to confirm the selection and move to the next parameter.

### 13.1.5 SELECTION OF BAUD RATE

- The fifth parameter is to select the baud rate per second which is the speed of sending data to RS-232 interface. Display will show “b 9600” (DEFAULT SET)
- Use the [Tare/Zero] key to scroll through the options.
- There are three options-

b 2400

b 4800

b 9600

- Press the [Unit] key to confirm the selection and move to the next parameter.

### 13.1.6 SELECTION OF BIT RATE AND PARITY

- The sixth parameter is to select the bit rate and parity used for sending data to RS-232 interface. Display will show “PAR 1” (DEFAULT SET)

PAR 1

8 bits no parity

PAR 2

7 bits even parity

PAR 3

7 bits odd parity

- Use the [Tare/Zero] key to scroll through the options.
- Press the [Unit] key to confirm the selection and move to the next parameter.

### 13.1.7 SELECTION OF TRANSMISSION MODE

- The seventh parameter is to select the transmission mode. Display will show “trn 1” (DEFAULT SET). See the HOLD AND PRINTING TABLE in section 13.1.9.

trn 1

No data output

trn 2

Continuous data output

trn 3

Normal output when the **[Print/Hold]** key is pressed

- Use the **[Tare/Zero]** key to scroll through the options.
- Press the **[Unit]** key to confirm the selection and move to the next parameter.

### 13.1.8 SELECTION OF HOLD FUNCTION

- The eighth parameter is to set the Hold function. Display will show “Hod 1” (DEFAULT SET). See the HOLD AND PRINTING TABLE in section 13.1.9.

Hod 1

No hold function

Hod 2

Automatic hold function

Hod 3

Manual hold function

- Use the **[Tare/Zero]** key to scroll through the options.
- If selection of “Hod 2” or “Hod 3” is made then it will lead to SETTING OF HOLD TIME LIMIT (see section 13.1.9). The display will show “Hold” above the weight during operation.

- If “Hod 1” is selected, pressing the **[Unit]** key will take you back to the first parameter on Auto Power Off.
- If you want to return to weighing, press the **[Print/Hold]** key.

### 13.1.9 SETTING OF HOLD TIME LIMIT

- This parameter is to set the time limit by which the display is held after the hold function is used. It is applicable if the hold function is set to “Hod 2” or “Hod 3”.
- Use the **[Tare/Zero]** key to scroll through the options.
- The options are-

HE, 0

Holds the display for an infinite time limit

HE, 1

Holds the display for 15 (1 x 15) seconds

HE, 2

Holds the display for 30 (2 x 15) seconds

HE, 3

Holds the display for 45 (3 x 15) seconds

HE, 4

Holds the display for 60 (4 x 15) seconds

- Press the **[Unit]** key to confirm the selection and move back to the first parameter or press **[Print/Hold]** to exit the parameter setting.

## HOLD AND PRINTING TABLE

	trn 1	trn 2	trn 3
<b>Hod 1</b>	RS-232 is off. Hold is off. [Print/hold] key has no function.	Prints continuously. Hold is off. [Print/hold] key has no function.	RS-232 prints when [Print/Hold] is pressed. Hold function is disabled.
<b>Hod 2</b>	RS-232 is off. Hold occurs automatically when the weight is stable. Hold is released if [Print/Hold] is pressed or time expires as per Hti setting.	Print continuously. Hold occurs automatically when the weight is stable. Hold is released if [Print/Hold] is pressed or time expires as per Hti setting.	RS-232 prints and hold occurs automatically when the weight is stable. [Print/Hold] key is pressed print will occur again. Hold function is released if the key is pressed again or time expires as per Hti setting.
<b>Hod 3</b>	RS-232 is off Hold occurs when the [Print/Hold] key is pressed. Hold is released if [Print/Hold] is pressed again or time expires as per Hti setting.	Print continuously. Hold occurs when the [Print/Hold] key is pressed. Hold is released if [Print/Hold] is pressed again or time expires as per Hti setting.	RS-232 prints and the hold occurs when [Print/Hold] is pressed. If [Print/Hold] is pressed a second time print will occur again. Hold is released if [Print/Hold] is pressed again or time expires as per Hti setting.

### 13.2 TECHNICAL PARAMETERS

The technical parameters allow adjusting of the scale for accuracy and speed. See section 18.0 for the complete list of parameters.

- Switch off the scale.
- Hold the [Unit] key and then press [On/Off] momentarily. Release the [Unit] key. The display shows the first technical parameter to set the filter “Fi x”.
- To exit the parameter setting at any time, press the [Print/Hold] key.
- To scroll through the technical parameters, press the [Unit] key (which will advance to the next parameter).
- To return to normal weighing, turn the scale off and back to on again or press the [Print/Hold] key.

### 13.2.1 FILTER

This parameter is for setting the speed of the display filter. For poor environments the filter should be set at its slowest to minimise external influences on the scale. For weighing small samples or gradual filling, the filter should be set at a faster setting.

A digital display showing the text "FIL 2" in a monospaced font. The display is enclosed in a rounded rectangular border.

- Press [**Tare/Zero**] to scroll through the options. The display will show “**Fi 1**” to “**Fi 3**”. If it is set to “**F1 1**” then the display is at its slowest setting and at “**F1 3**” the display is in its fastest setting.
- Press [**Unit**] to confirm the selection and move to the next parameter.

### 13.2.2 ZERO TRACKING

This parameter is for setting the range of the zero tracking. Zero tracking will aid the scale to hold or return to zero and should be increased if large weights are left on the scale or temperature is not consistent.

A digital display showing the text "ZEO 4" in a monospaced font. The display is enclosed in a rounded rectangular border.

- Press [**Tare/Zero**] to scroll through the settings. The display will show “**ZEO 1**” to “**ZEO 8**”. If it is set to “**ZEO 1**” the zero tracking is at its smallest range and “**ZEO 8**” the highest.
- Press [**Unit**] to confirm the selection and move to the next parameter.

### 13.2.3 STABILIZATION RANGE

This parameter is for setting the range of the stability indicator. This is used to determine when the scale will print automatically as well as indicate that the weight is stable.

A digital display showing the text "SLR 5" in a monospaced font. The display is enclosed in a rounded rectangular border.

- Press **[Tare/Zero]** to scroll through the settings. The display will show “**StA 1**” to “**StA 8**”. If it is set to “**StA 8**” then the stability is at its fastest and “**StA 1**” the slowest.
- Press **[Unit]** to confirm the selection and move to the next parameter.

#### 13.2.4 STABILIZATION TRACKING

This parameter is for setting the size of the tracking range to indicate the stability. This is used to stable the scale once a weighing result is achieved.



- Press **[Tare/Zero]** to scroll through the settings. The display will show “**Str 1**” to “**Str 5**”. If it is set to “**Str 1**” then the stability range is at its smallest and “**Str 5**” the highest.
- When the desired value is displayed, press the **[Print/Hold]** key to select the value and exit the Technical Parameters. The display will count down to zero and the scale will return to normal weighing.
- If **[Unit]** is pressed instead of the **[Print/Hold]** key, the display will ask for Pin for entering into the Factory Parameters. Switch off the scale.
- Switch on the scale to start the operation.



### 13.3 FACTORY PARAMETERS

If after the last Technical Parameter **[Unit]** key is pressed, the scale will advance to the Factory Parameter section. This section contains critical calibration reference information and is protected by a Pin Code which can only be accessed by a qualified technician. To exit, the user must switch off the scale when the display shows “**Pi**”.



## 14.0 ERROR MESSAGES

During the initial power-on testing or during the operation the scale may show an error message. The error messages are described below.

ERROR CODE	DESCRIPTION	POSSIBLE CAUSES
	A continuous beep is heard.	Weight on the pan exceeds the capacity of the scale. Remove the weight from the pan.
	If the selected mass is less than 10% or more than 20% of the capacity of the scale, an error message " <b>CALER</b> " will be displayed and the scale will return to zero.	Incorrect calibration mass. Repeat the process correctly.

If an error message is shown, repeat the procedure that caused the message such as turning the scale on, calibration or any other functions. If the error message is still shown, contact your supplier for further support.

## 15.0 REPLACEMENT PARTS AND ACCESSORIES

If you need to order any accessories and spare parts, contact your dealer or Adam Equipment. A partial list of such items is as follows-

Accessories	Part Number
Hard carry case (For Standard CPW <sub>plus</sub> models only)	7954
Printer	8023
RS-232 cable	9014
Non-slip mats (For CPW <sub>plus</sub> L models only)	9013

Spare Parts	Part Number
Power Supply Adapter	7973
Keypad overlay	7960
Stainless Steel Pan for CPW <sub>plus</sub>	7972
Stainless Steel Pan for CPW <sub>plus</sub> M	9011
Stainless Steel Pan for CPW <sub>plus</sub> L	9010
Replacement Lead-Acid Battery for CPW <sub>plus</sub> M & CPW <sub>plus</sub> L	9012

## 16.0 SERVICE INFORMATION

This manual covers the details of operation. If you have a problem with the scale that is not directly addressed by this manual then contact your supplier for assistance. In order to provide further assistance, the supplier will need the following information which should be kept ready:

### A. Details of your company

- Name of your company:
- Contact person's name:
- Contact telephone, e-mail, fax or any other methods:

### B. Details of the unit purchased

(This part of information should always be available for any future correspondence. We suggest you to fill in this form as soon as the unit is received and keep a print-out in your record for ready reference.)

<b>Model name of the scale:</b>	<b>CPW<sup>plus</sup> _____</b>
<b>Serial number of the unit:</b>	
<b>Software revision number (Displayed when power is first turned on):</b>	
<b>Date of Purchase:</b>	
<b>Name of the supplier and place:</b>	

### C. Brief description of the problem

- Include any recent history of the unit. For example:
- Has it been working since it's delivered
  - Has it been in contact with water
  - Damaged from a fire
  - Electrical Storms in the area
  - Dropped on the floor, etc.

## **17.0 WARRANTY INFORMATION**

**Adam Equipment offers Limited Warranty (Parts and Labour) for the components failed due to defects in materials or workmanship. Warranty starts from the date of delivery.**

**During the warranty period, should any repairs be necessary, the purchaser must inform its supplier or Adam Equipment Company. The company or its authorised Technician reserves the right to repair or replace the components at any of its workshops depending on the severity of the problems. However, any freight involved in sending the faulty units or parts to the service centre should be borne by the purchaser.**

**The warranty will cease to operate if the equipment is not returned in the original packaging and with correct documentation for a claim to be processed. All claims are at the sole discretion of Adam Equipment.**

**This warranty does not cover equipment where defects or poor performance is due to misuse, accidental damage, exposure to radioactive or corrosive materials, negligence, faulty installation, unauthorised modifications or attempted repair or failure to observe the requirements and recommendations as given in this User Manual.**

**Repairs carried out under the warranty does not extend the warranty period. Components removed during the warranty repairs become the company property.**

**The statutory right of the purchaser is not affected by this warranty. The terms of this warranty is governed by the UK law. For complete details on Warranty Information, see the terms and conditions of sale available on our web-site.**

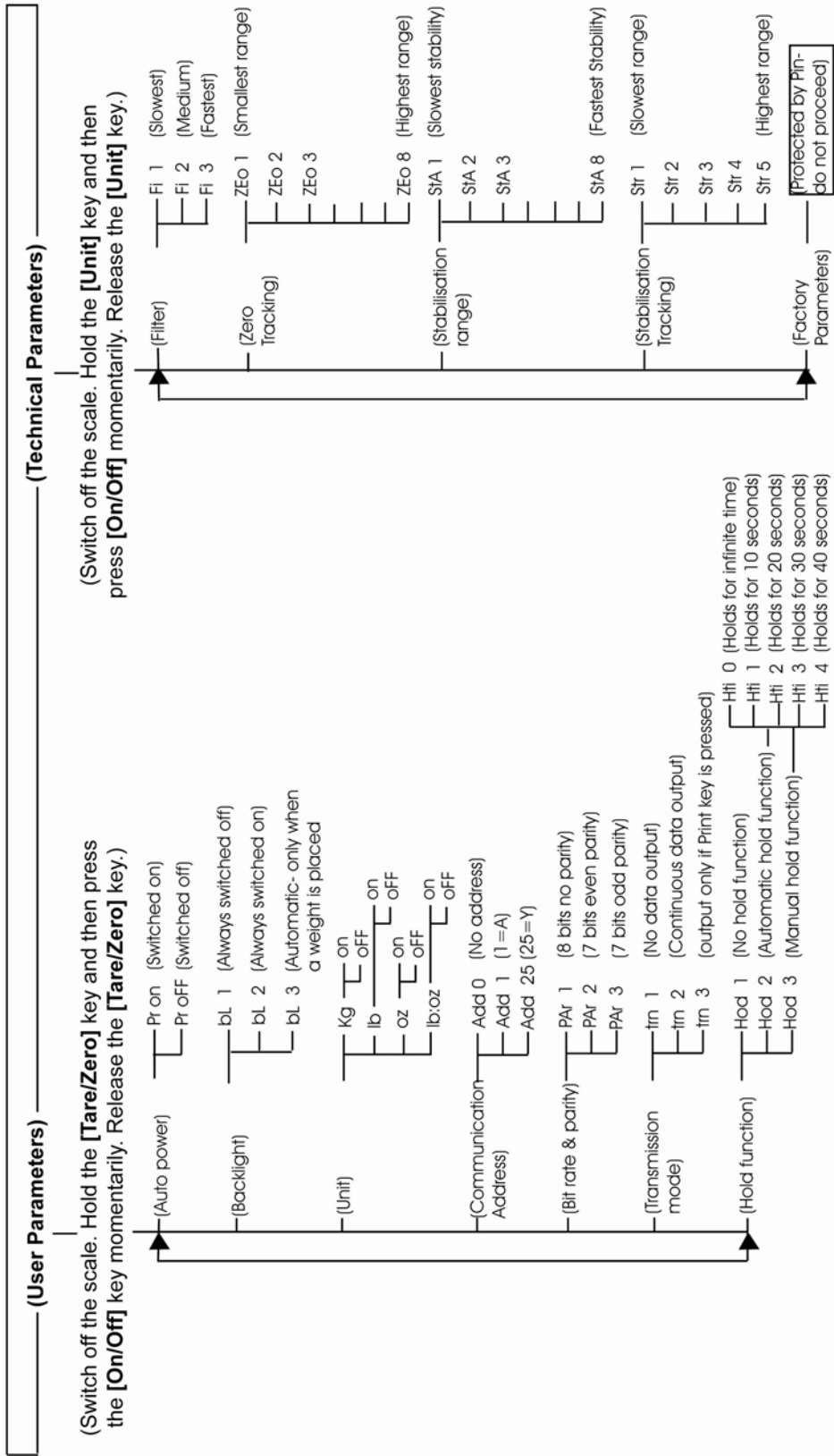
## Parameter Layout for CPWplus Scales (section 13.0)

Keys (general description of the key functions while in this section):

**[Tare/Zero]** - to scroll through parameters / options within a parameter

**[Unit]** - accept new setting and move to next parameter

**[Print/ Hold]** - return to previous / return to normal weighing (may not save changes)





### Manufacturer's Declaration of Conformity

This product has been manufactured in accordance with the harmonised European standards, following the provisions of the below stated directives:

Electro Magnetic Compatibility Directive 89/336/EEC

Low Voltage Directive 73/23/EEC

Adam Equipment Co. Ltd.  
Bond Avenue, Denbigh East  
Milton Keynes, MK1 1SW  
United Kingdom

### **FCC COMPLIANCE**

This equipment has been tested and found to comply with the limits for a Class A digital device, pursuant to Part 15 of the FCC Rules. These limits are designed to provide reasonable protection against harmful interference when the equipment is operated in a commercial environment. The equipment generates, uses, and can radiate radio frequency energy and, if not installed and used in accordance with the instruction manual, may cause harmful interference to radio communications. Operation of this equipment in a residential area is likely to cause harmful interference in which case the user will be required to correct the interference at his own expense.

Shielded interconnect cables must be employed with this equipment to insure compliance with the pertinent RF emission limits governing this device.

Changes or modifications not expressly approved by Adam Equipment could void the user's authority to operate the equipment.

### **WEEE COMPLIANCE**



Sealed Lead Acid  
Battery  
Must be recycled  
Properly

Any Electrical or Electronic Equipment (EEE) component or assembly of parts intended to be incorporated into EEE devices as defined by European Directive 2002/95/EEC must be recycled or disposed using techniques that do not introduce hazardous substances harmful to our health or the environment as listed in Directive 2002/95/EC or amending legislation. Battery disposal in Landfill Sites is more regulated since July 2002 by regulation 9 of the Landfill (England and Wales) Regulations 2002 and Hazardous Waste Regulations 2005. Battery recycling has become topical and the Waste Electrical and Electronic Equipment (WEEE) Regulations are set to impose targets for recycling.

**ADAM EQUIPMENT** is an ISO 9001:2000 certified global company with more than 35 years experience in the production and sale of electronic weighing equipment.

Adam products are predominantly designed for the Laboratory, Educational, Medical, retail and Industrial Segments. The product range can be described as follows:

- Analytical and Precision Balances
- Compact and Portable Balances
- High Capacity Balances
- Moisture analysers / balances
- Mechanical Scales
- Counting Scales
- Digital Weighing/Check-weighing Scales
- High performance Platform Scales
- Crane scales
- Medical Scales
- Retail Scales for Price computing

For a complete listing of all Adam products visit our website at  
[www.adamequipment.com](http://www.adamequipment.com)

© Copyright by Adam Equipment Co. Ltd. All rights reserved. No part of this publication may be reprinted or translated in any form or by any means without the prior permission of Adam Equipment.

Adam Equipment reserves the right to make changes to the technology, features, specifications and design of the equipment without notice.

All information contained within this publication is to the best of our knowledge timely, complete and accurate when issued. However, we are not responsible for misinterpretations which may result from the reading of this material.

The latest version of this publication can be found on our Website.

[www.adamequipment.com](http://www.adamequipment.com)